

A **C100**

Peso Kg/m Weight Kg/m	2.40	Rt °C/W	2.2	Lung. campione mm Sample length mm	100
--------------------------	------	---------	-----	---------------------------------------	-----

TECNODAL
www.tecnoal.it

B **C107**

Peso Kg/m Weight Kg/m	1.96	Rt °C/W	2.6	Lung. campione mm Sample length mm	100
--------------------------	------	---------	-----	---------------------------------------	-----

TECNODAL
www.tecnoal.it

C **C118**

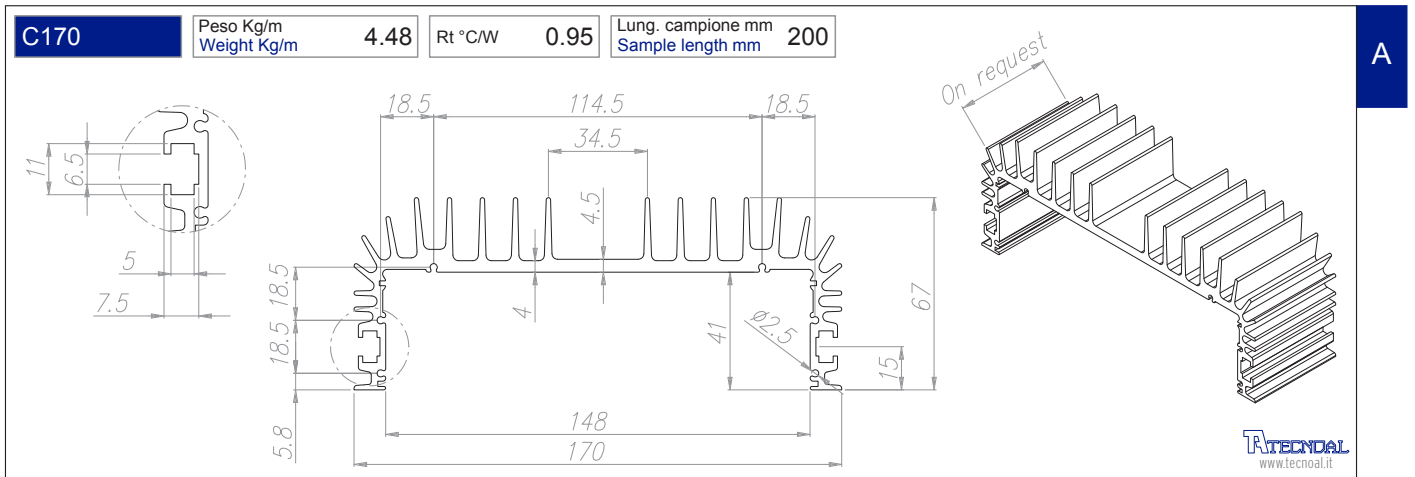
Peso Kg/m Weight Kg/m	2.40	Rt °C/W	2.1	Lung. campione mm Sample length mm	150
--------------------------	------	---------	-----	---------------------------------------	-----

TECNODAL
www.tecnoal.it

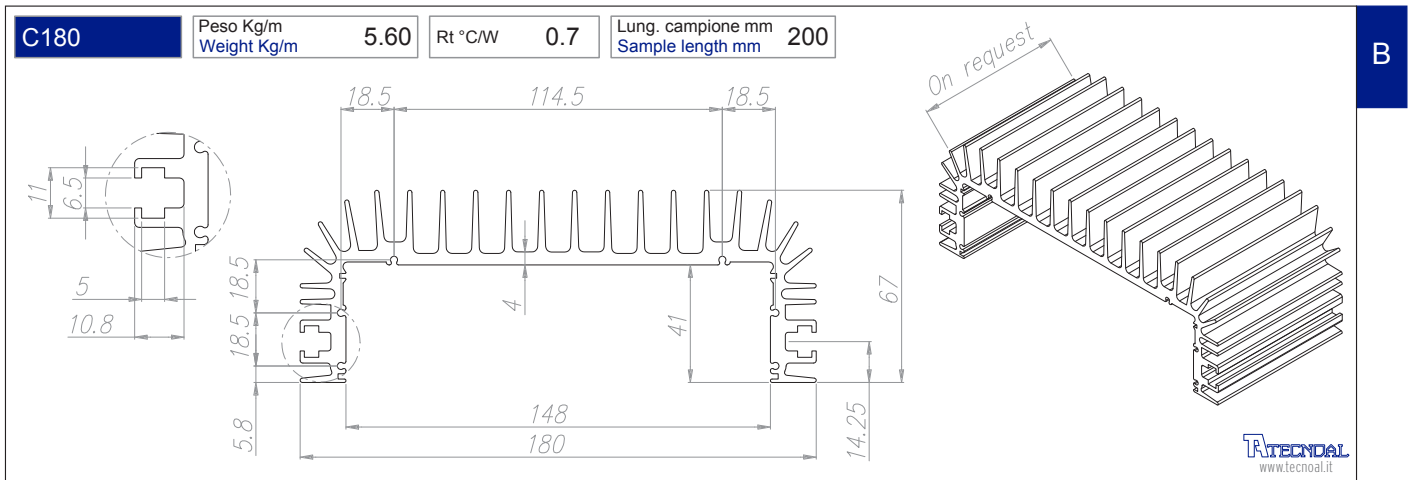
D **C120**

Peso Kg/m Weight Kg/m	2.25	Rt °C/W	1.2	Lung. campione mm Sample length mm	150
--------------------------	------	---------	-----	---------------------------------------	-----

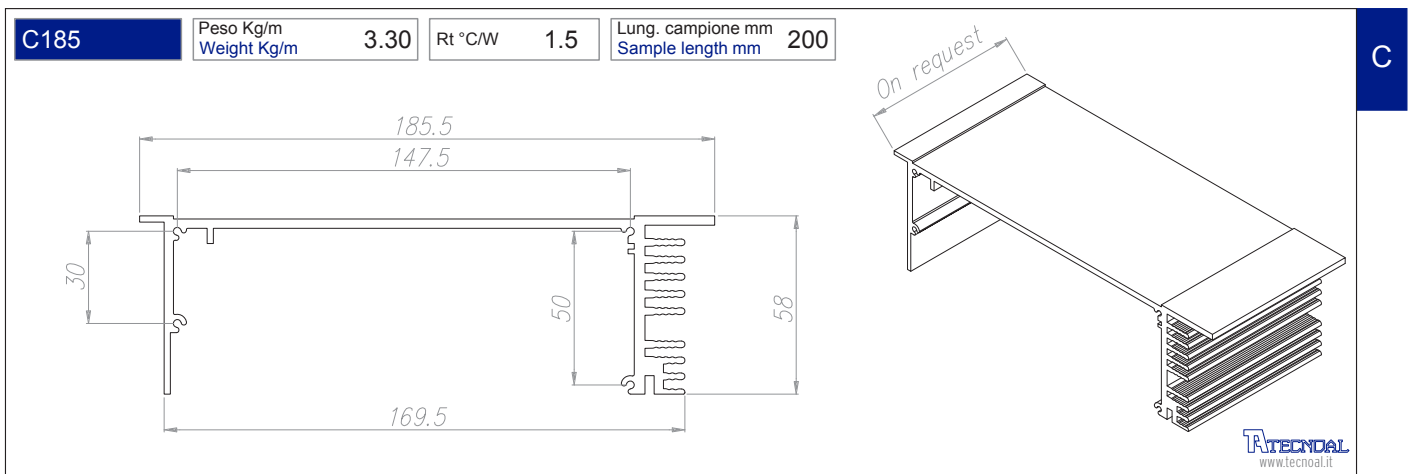
TECNODAL
www.tecnoal.it



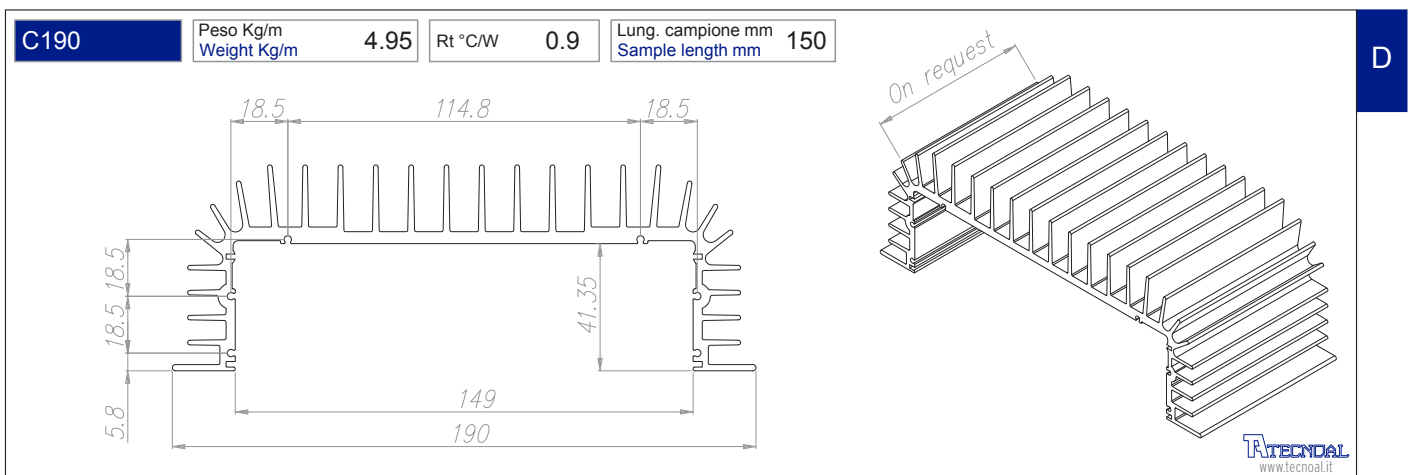
A



B



C



D

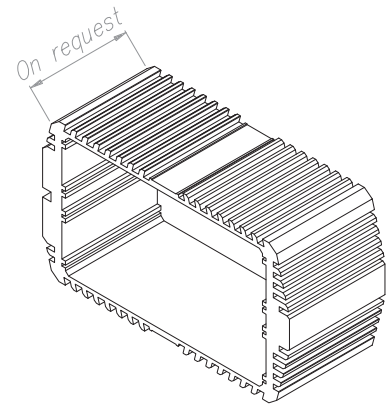
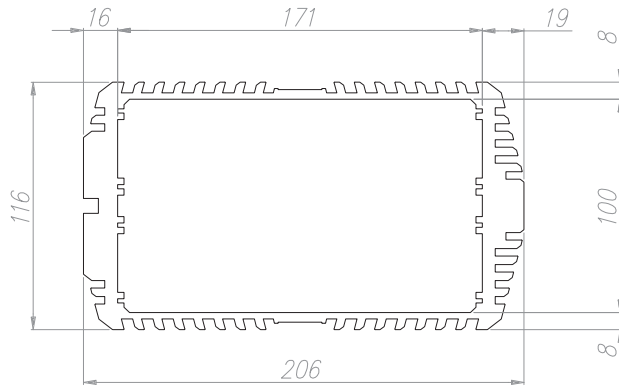
A

SCS206

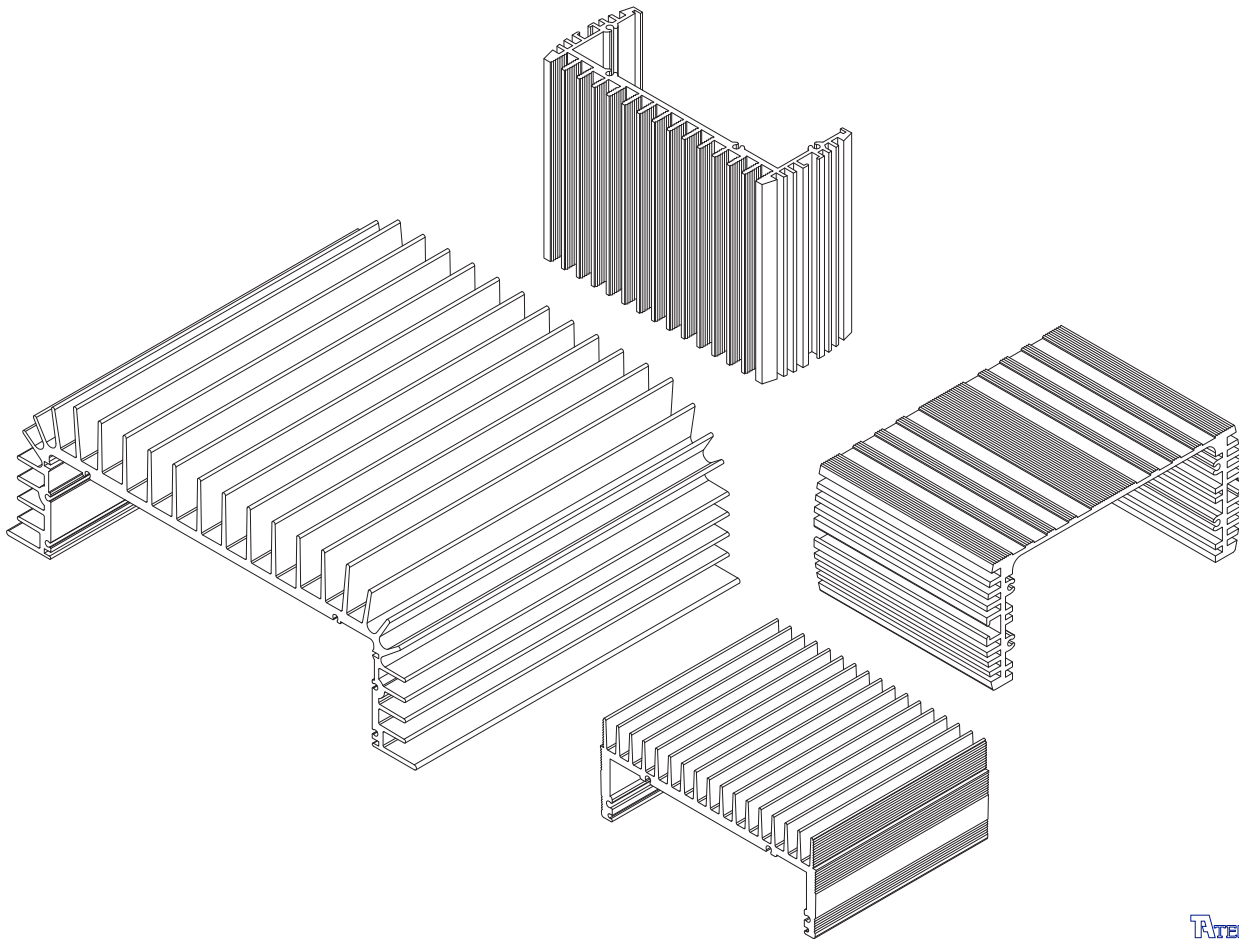
Peso Kg/m **12.70**
Weight Kg/m

Rt °C/W --

Lung. campione mm --
Sample length mm



TECNODAL
www.tecnodal.it



TECNODAL
www.tecnodal.it