

A

AM33	Peso Kg/m Weight Kg/m	0.70	Rt °C/W	6.60	Lung. campione mm Sample length mm	100
-------------	--------------------------	-------------	---------	-------------	---------------------------------------	------------

■ Cava per M3 / Groove for screw M3

TECNODAL
www.tecnodal.it

B

A30	Peso Kg/m Weight Kg/m	1.00	Rt °C/W	5.5	Lung. campione mm Sample length mm	100
------------	--------------------------	-------------	---------	------------	---------------------------------------	------------

TECNODAL
www.tecnodal.it

C

AX34	Peso Kg/m Weight Kg/m	1.20	Rt °C/W	4.8	Lung. campione mm Sample length mm	100
-------------	--------------------------	-------------	---------	------------	---------------------------------------	------------

TECNODAL
www.tecnodal.it

D

A43	Peso Kg/m Weight Kg/m	1.88	Rt °C/W	3.3	Lung. campione mm Sample length mm	100
------------	--------------------------	-------------	---------	------------	---------------------------------------	------------

ONLY ON REQUEST

TECNODAL
www.tecnodal.it

A46	
Peso Kg/m Weight Kg/m	2.16
Rt °C/W	3.0
Lung. campione mm Sample length mm	100

■ Cava per M3 / Groove for screw M3
 □ Cava per M4 / Groove for screw M4

TECNODAL
www.tecnodal.it

A

A54	
Peso Kg/m Weight Kg/m	2.20
Rt °C/W	3.2
Lung. campione mm Sample length mm	100

TECNODAL
www.tecnodal.it

B

A59	
Peso Kg/m Weight Kg/m	2.85
Rt °C/W	2.4
Lung. campione mm Sample length mm	100

TECNODAL
www.tecnodal.it

C

A60	
Peso Kg/m Weight Kg/m	1.90
Rt °C/W	2.2
Lung. campione mm Sample length mm	100

○ Cava per autofilettante
 ○ Groove for Self-tapping

TECNODAL
www.tecnodal.it

D

A **A75**

Peso Kg/m Weight Kg/m	4.18
Rt °C/W	1.75
Lung. campione mm Sample length mm	100

ONLY ON REQUEST

ATECNAL
www.tecnoal.it

B **A80**

Peso Kg/m Weight Kg/m	3.58
Rt °C/W	1.6
Lung. campione mm Sample length mm	100

ATECNAL
www.tecnoal.it

C **A90**

Peso Kg/m Weight Kg/m	6.85
Rt °C/W	0.9
Lung. campione mm Sample length mm	150

Up on request

ATECNAL
www.tecnoal.it

D **A94**

Peso Kg/m Weight Kg/m	10.35
Rt °C/W	0.85
Lung. campione mm Sample length mm	100

ATECNAL
www.tecnoal.it

A120	
Peso Kg/m Weight Kg/m	14.50
Rt °C/W	0.6
Lung. campione mm Sample length mm	100

A

A125	
Peso Kg/m Weight Kg/m	15.65
Rt °C/W	0.5
Lung. campione mm Sample length mm	200

B

A134	
Peso Kg/m Weight Kg/m	14.80
Rt °C/W	0.6
Lung. campione mm Sample length mm	200

C

A135	
Peso Kg/m Weight Kg/m	15.70
Rt °C/W	0.5
Lung. campione mm Sample length mm	200

D

A **A160**

Peso Kg/m Weight Kg/m	19.20
Rt °C/W	0.36
Lung. campione mm Sample length mm	200

On request

TECNDAL
www.tecnoal.it

B **A126**

Peso Kg/m Weight Kg/m	6.98
Rt °C/W	0.8
Lung. campione mm Sample length mm	100

On request

TECNDAL
www.tecnoal.it

C **A128**

Peso Kg/m Weight Kg/m	5.95	Rt °C/W	0.91	Lung. campione mm Sample length mm	100
--------------------------	------	---------	------	---------------------------------------	-----

On request

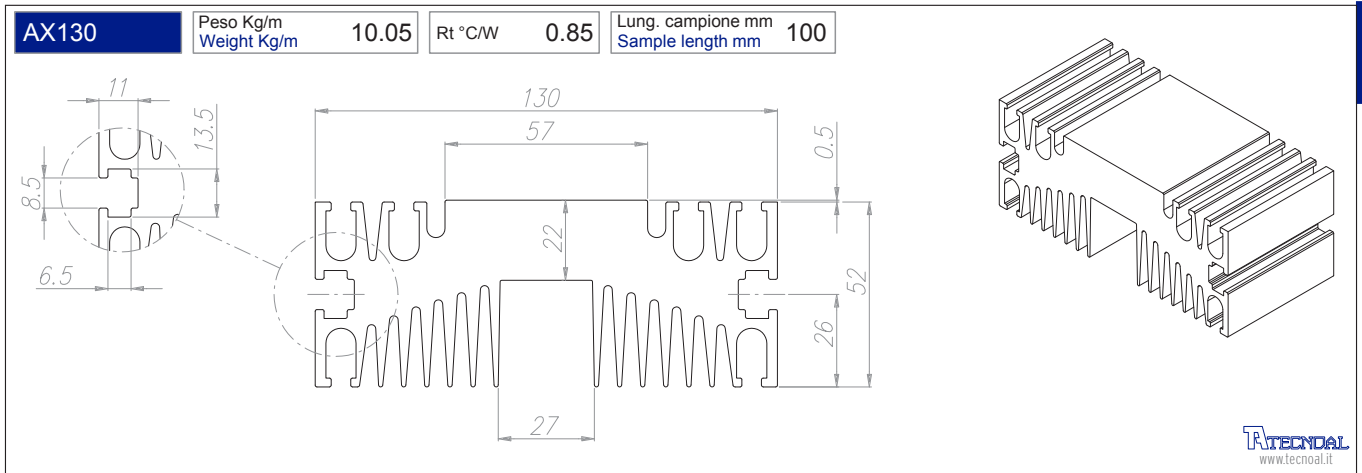
TECNDAL
www.tecnoal.it

D **A130**

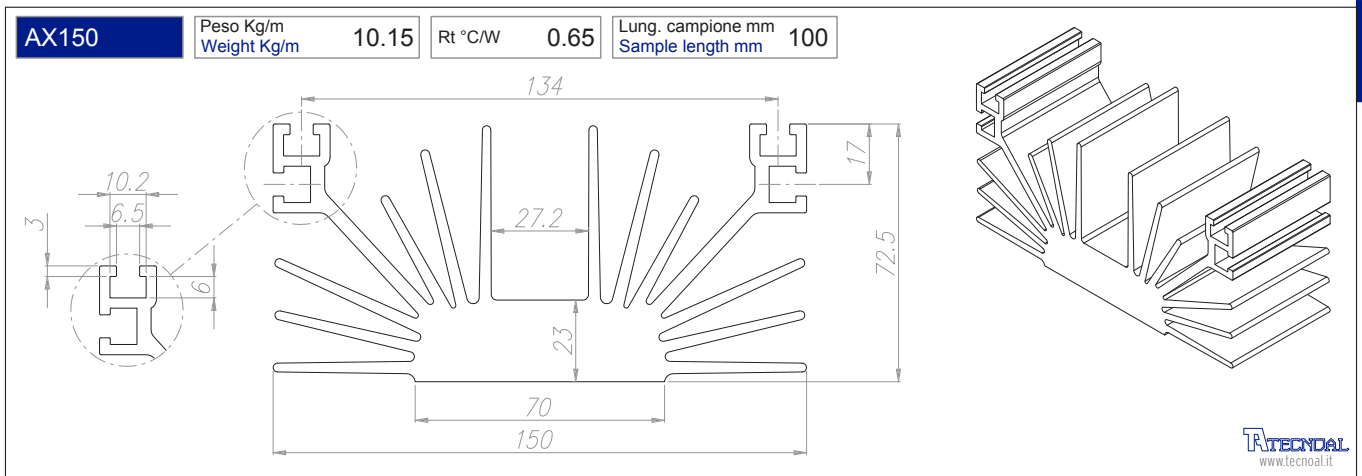
Peso Kg/m Weight Kg/m	11.0	Rt °C/W	0.8	Lung. campione mm Sample length mm	100
--------------------------	------	---------	-----	---------------------------------------	-----

On request

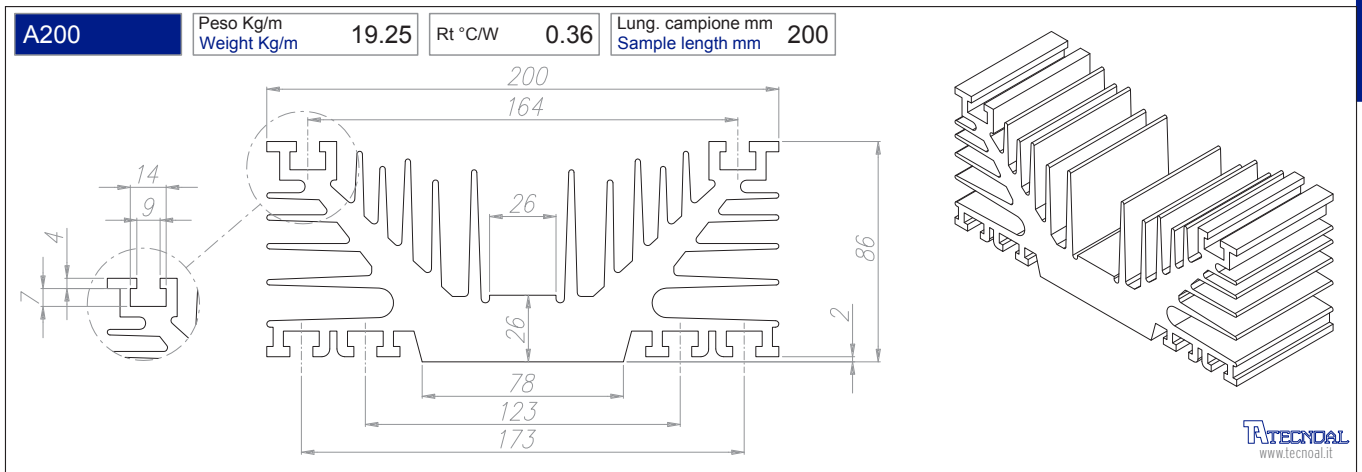
TECNDAL
www.tecnoal.it



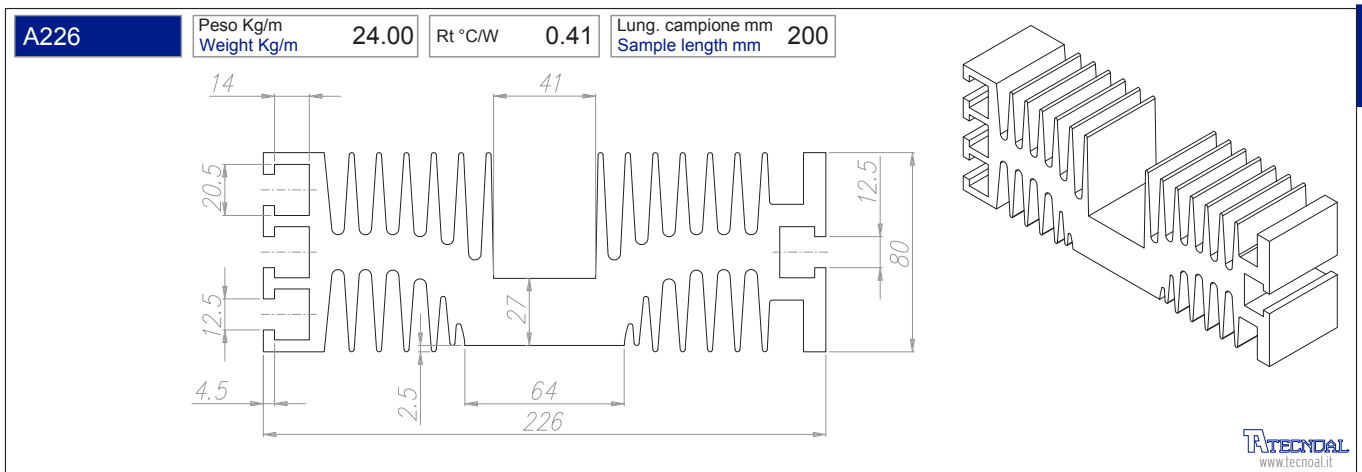
A



B



C



D

A

A240	Peso Kg/m Weight Kg/m	26.10	Rt °C/W	0.22	Lung. campione mm Sample length mm	200
-------------	--------------------------	--------------	---------	-------------	---------------------------------------	------------

TECNODAL
www.tecnoal.it

B

X117	Peso Kg/m Weight Kg/m	12.40	Rt °C/W	0.45	Lung. campione mm Sample length mm	200
-------------	--------------------------	--------------	---------	-------------	---------------------------------------	------------

Up on request

TECNODAL
www.tecnoal.it

C

X117E	Peso Kg/m Weight Kg/m	11.50	Rt °C/W	0.45	Lung. campione mm Sample length mm	200
--------------	--------------------------	--------------	---------	-------------	---------------------------------------	------------

TECNODAL
www.tecnoal.it

D

Z120	Peso Kg/m Weight Kg/m	11.40	Rt °C/W	0.6	Lung. campione mm Sample length mm	200
-------------	--------------------------	--------------	---------	------------	---------------------------------------	------------

TECNODAL
www.tecnoal.it

TMT 100	
Peso Kg/m Weight Kg/m	5.70
Rt °C/W	1.75
Lung. campione mm Sample length mm	100

Cava per M4
 Groove for screw M4

A

ASI 158	Peso Kg/m Weight Kg/m	10.00	Rt °C/W	--	Lung. campione mm Sample length mm	---
----------------	--------------------------	-------	---------	----	---------------------------------------	-----

B